

TFT

FRD Series

FEARLESS OF ROUGH GROUND!



info@carretillastft.com

**2.5T/ 3.5T
4WD**



TFT

- retains the right to change these products and specifications without incurring any obligation relating to such changes.
- These products and specifications are subject to change without notice.
- Photos and illustrations may or may not include optional equipment and accessories.
- Features and specifications may vary depending on markets.
- Performance data and dimensions are nominal and subject to tolerances.



Performance Display:



280mm ground clearance,
strong passability



High quality off-road tires
+limited slip differential
Strong grip, easy escape
from muddy roads

Enhanced Operator Comfort:



Two levels of boarding pedals



Spacious footstep space

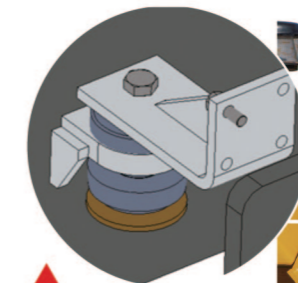


Wide view mast

SIGNIFICANT VIBRATION ABSORPTION



Suspension seat



Imported quality
cushioning pad
under the engine
and transmission



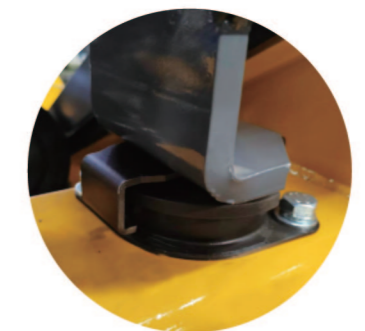
Imported quality cab
cushion pad



Ergonomic instrument panel: integrated handle switch, ratchet type hand brake and integrated electro-hydraulic reversing handle



Integrated cab+suspended gearbox



Configuration Display:

TFT



Protection Cover
(optional)



Rotating Warning Light



Spherical Mirror
(optional)



Rear handle with horn button



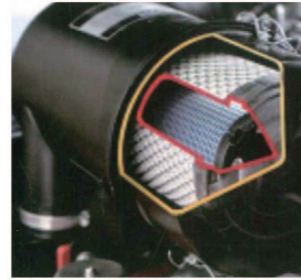
LED color screen instrument panel



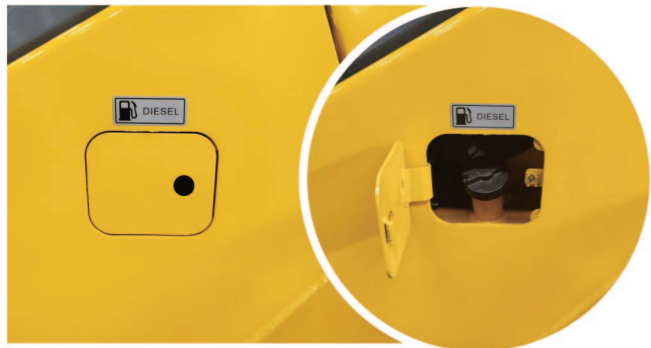
2-wheel drive/4-wheel drive one click switch



Air Prefilter



Built in dual air filters
(optional)



The concealed refueling port,
effectively avoids the intrusion of rainwater and sediment



Enhanced dashboard, increased strength,
and effectively reduced the shaking of the wheel



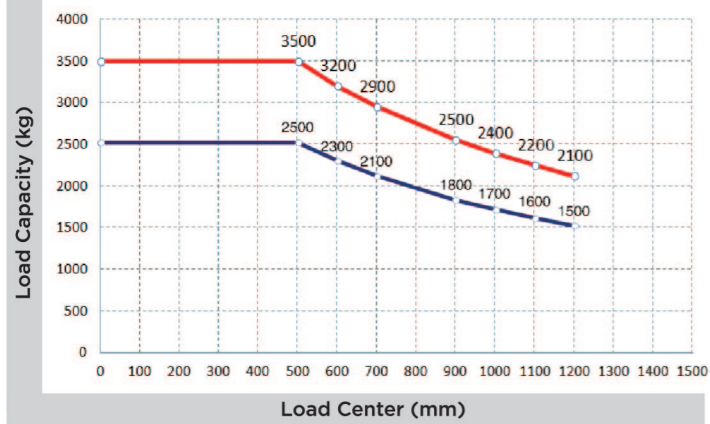
Suspension seat (GRAMMER as option)



High angle hood open for easy maintenance

Manufacturer and Technical Data						
		TFT				
Specification	Manufacturer	TFT				
	Model		FR4D25	FR4D35		
	Load capacity	kg	2500	3500		
	Load center	mm	500	500		
	Power unit		Diesel	Diesel		
Weight	Operator type		Driver/seat	Driver/seat		
	Truck weight	kg	5000	5500		
Wheels & Tyres	Tire type		Pneumatic	Pneumatic		
	Tires number X=(front/rear)		2X/2	2X/2		
	Tires model(front tire)		14-17.5-16TL	14-17.5-16TL		
	Tires model(rear tire)		10-16.5-10TL	10-16.5-10TL		
	Lifting height	① mm	3000	3000		
Dimension	Mast height(forks lowering)	② mm	2175	2225		
	Overall height fork raised(with backrest)	③ mm	4040	4280		
	Free lifting height	④ mm	160	150		
	Height of head guard	⑤ mm	2450	2450		
	ground clearance(mast)	⑥ mm	280	280		
	Load backrest height(calculate from forks face)	⑦ mm	1040	1280		
	Overall length(with/without forks)	⑧ mm	4245/3135	4300/3180		
	Wheel base(front/rear)	⑨ mm	2000	2000		
	Front overhang	⑩ mm	570	580		
	Rear overhang	⑪ mm	565	600		
	Width	⑫ mm	1640	1640		
	Tread(front/rear)	⑬⑭ mm	1250/1280	1250/1280		
	Forks open range (forks outside Max/Min)	⑮ mm	1395/250	1395/250		
	Min Turning radius	⑯ mm	3565	3600		
	Tilt angle,mast forward/backward	⑰⑱ °	10°/12°	10°/12°		
	forks: Length x Width x Length	⑲ mm	1070X122X40	1070X125X50		
	Right angle stacking aisle (no add load length & clearance)	⑳ mm	3465	3500		
Performance	Max travelling Speed, full/no load	km/h	20/20	20/20		
	Lifting speed, full/no load	mm/s	480/520	450/520		
	Lowering speed,full/no load	mm/s	370/350	370/350		
	Max. drawbar pull	KN	38	38		
	Gradeability	%	46	36		
Drive Line	Engine manufacture/Model		YANMAR/4TNE98	Kubota-V2403	YANMAR/4TNE98	Kubota-V2403
	Rated power	Kw/rpm	43.7/2300	43.2/2400	43.7/2300	43.2/2400
	Rated torque	Nm/rpm	177.6/1700	198.5/1500	177.6/1700	198.5/1500
	Number of cylinder/displacment	/L	4-98X110/3.319	4-87X102.4/2.4	4-98X110/3.319	4-87X102.4/2.4
	Emission standard		China Stage III	EURO V/ T4F	China Stage III	EURO V/ T4F
Transmission speed(forward/backward)		2-1 power shift M/T	2-1 power shift M/T	2-1 power shift M/T	2-1 power shift M/T	

Load Curve



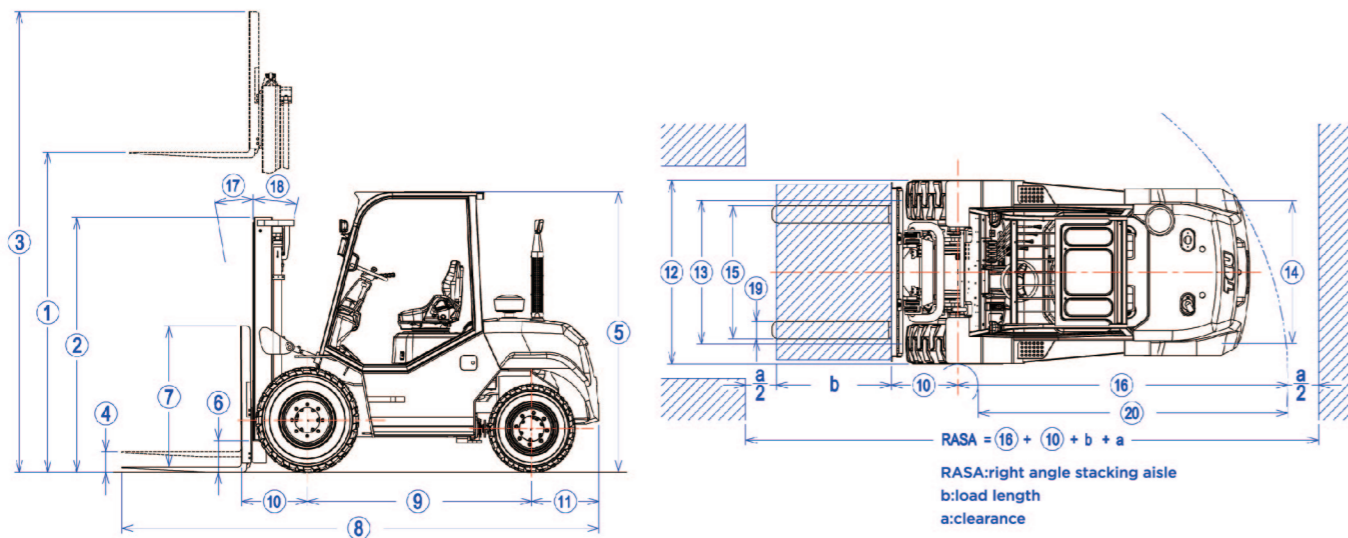
— FR4D35 — FR4D25

Vertical axis represents load capacity; Horizontal axis shows load center, Load center are determined from front face of the fork.

Capacity based on a 1000mm cube load configuration with the center of gravity at the true center of the cube, and standard fork.

The load capacity will be reduced while the mast tilt forward or loading with long fork or lifting transformable width of goods. Getting the load capacities at the various load centers timely via the load curve.

TEU's products and specifications change without prior notice. TEU forklift truck has equipped with standard safety device. TEU is not responsible for the damage occurred by removing its safety device.



Standard Equipments:

- Wide view mast
- Standard gear rack
- Power steering
- Headlamp and steering indicator lamp
- Rear mirror
- Load one-way valve
- Long-life tires
- Adjustable steering wheel column
- Charge indicator lamp
- Tools
- Kin pin
- traction pin
- Side roller
- Hour meter
- Side roller
- Standard carriage
- Reversing light
- General seat
- Electric horn
- LS system

Options:

- Fire extinguisher
- Heater unit
- Solid tires
- Tiltcylinder jacket
- Rotating warning light
- Cab
- Rear work light

Attachments:

- Side shifter
- Carpet boom
- Long fork
- Fork positioned
- Fork extension
- Flat clamp
- Others

Wide View Mast VM

Mast Model	Load Center 500mm		Max.lift Height	Mast Height				Free Lift with Backrest	Tilt Range fwd/bwd	Weight	
	FR4D25	FR4D35		Fork Lowered		Forkl Lift (withbackrest)				FR4D25	FR4D35
				FR4D25	FR4D35	FR4D25	FR4D35				
VM250	2500	3500	2500	1975	1975	3730	3730	150	10-12	4965	5465
VM270	2500	3500	2700	2075	2075	3930	3930	150	10-12	4980	5780
VM300	2500	3500	3000	2225	2225	4230	4230	150	10-12	5000	5500
VM330	2500	3500	3300	2375	2375	4530	4530	150	10-12	5020	5520
VM350	2500	3500	3500	2475	2475	4730	4730	150	10-12	5035	5535
VM366	2500	3500	3660	2555	2555	4890	4890	150	10-12	5045	5545
VM375	2500	3500	3750	2575	2600	4980	4980	150	10-12	5050	5550
VM400	2500	3500	4000	2775	2775	5230	5230	150	10-6	5075	5575
VM450	2150	3000	4500	3025	3025	5730	5730	150	10-6	5110	5610
VM475	1850	2900	4750	3150	3150	5980	5980	150	10-6	5130	5630
VM500	1700	2800	5000	3275	3275	6230	6230	150	5-6	5145	5645
VM550	1450	2000	5500	3575	3575	6730	6730	150	5-6	5185	5685
VM600	1300	1500	6000	3825	3825	7230	7230	150	5-6	5520	6020

2 Stage Free Lift Mast VFM

Mast Model	Load Center 500mm		Max.lift Height	Mast Height				Free Lift with Backrest	Tilt Range fwd/bwd	Weight	
	FR4D25	FR4D35		Fork Lowered		Forkl Lift (withbackrest)				FR4D25	FR4D35
				FR4D25	FR4D35	FR4D25	FR4D35				
VFM250	3000	3500	2500	1965	1965	3730	3730	600	10-12	5003	5503
VFM270	3000	3500	2700	2065	2065	3930	3930	700	10-12	5019	5519
VFM300	3000	3500	3000	2215	2215	4230	4230	850	10-12	5043	5543
VFM330	3000	3500	3300	2365	2365	4530	4530	1000	10-12	5066	5566
VFM350	3000	3500	3500	2465	2465	4730	4730	1100	10-12	5082	5582

3 stage free lift mast VFMS

Mast Model	Load Center 500mm		Max.lift Height	Mast Height				Free Lift with Backrest	Tilt Range fwd/bwd	Weight	
	FR4D25	FR4D35		Fork Lowered		Forkl Lift (withbackrest)				FR4D25	FR4D35
				FR4D25	FR4D35	FR4D25	FR4D35				
VFMS360	2500	3500	3600	1965	1965	4830	4830	675	10-6	4984	5484
VFMS400	2500	3500	4000	2090	2090	5230	5230	800	10-6	5017	5517
VFMS435	2200	3200	4350	2215	2215	5580	5580	925	10-6	5044	5544
VFMS450	2050	3100	4500	2265	2265	5730	5730	1000	10-6	5055	5555
VFMS470	2000	2900	4700	2330	2330	5930	5930	1075	10-6	5071	5571
VFMS500	1600	2800	5000	2465	2465	6230	6230	1175	10-6	5104	5604
VFMS550	1100	2000	5500	2630	2630	6730	6730	1325	5-6	5138	5638
VFMS600	950	1500	6000	2815	2815	7230	7230	1525	5-6	5181	5681