

Wide view mast VM

Mast Model	Load center 500mm			Max. lift height	Mast height		Fork lift with backrest	Tilt angle fwd-bwd	Weight		
	FG/D 30	FG/D 35	FD 40		For lowered				FG/D 30	FG/D 35	FD 40
					mm	mm					
VM250	3000	3500	4000	2500	1825	1900	3750	6-12	4270	4650	5050
VM270	3000	3500	4000	2700	1925	2000	3950	6-12	4285	4670	5070
VM300	3000	3500	4000	3000	2075	2150	4250	6-12	4300	4700	5100
VM330	3000	3500	4000	3300	2225	2300	4550	6-12	4335	4730	5130
VM350	3000	3500	4000	3500	2325	2400	4750	6-12	4350	4750	5150
VM366	3000	3500	4000	3660	2405	/	4916	6-12	4362	4766	/
VM400	3000	3500	4000	4000	2625	2700	5250	6-6 *6-12	4430	4835	5235
VM450	2900 *3000	3000 *3500	3400 *4000	4500	2875	2950	5750	6-6 *6-12	4470	4880	5275
VM500	2700 *2850	2800 *3300	3200 *3700	5000	3125	3200	6250	6-6 *6-6	4515	4930	5320
VM550	*2400	*2700	*3100	5500	3425	3500	6750	*3-6	4740	5160	5545
VM600	*2000	*2300	*2700	6000	3675	3750	7250	*3-6	4780	5205	5585

2 Stage free lift mast VFM

Mast Model	Load center 500mm			Max. lift height	Mast height		Fork lift with backrest	Free lift with backrest	Tilt angle fwd-bwd	Weight		
	FG/D 30	FG/D 35	FD 40		For lowered					FG/D 30	FG/D 35	FD 40
					mm	mm						
VFM250	3000	3500	4000	2500	1825	1875	3760	600	6-12	4330	4720	4970
VFM270	3000	3500	4000	2700	1925	1975	3960	700	6-12	4350	4740	4990
VFM300	3000	3500	4000	3000	2075	2125	4260	850	6-12	4380	4770	5020
VFM330	3000	3500	4000	3300	2225	2275	4560	1000	6-12	4405	4795	5045
VFM350	3000	3500	4000	3500	2325	2375	4760	1100	6-12	4425	4815	5065
VFM400	3000	3500	4000	4000	2625	2675	5360	1400	6-6	4485	4875	5125

3 Stage free lift mast VFMS

Mast Model	Load center 500mm			Max. lift height	Mast height		Fork lift with backrest	Free lift with backrest	Tilt angle fwd-bwd	Weight		
	FG/D 30	FG/D 35	FD 40		For lowered					FG/D 30	FG/D 35	FD 40
					mm	mm						
VFMS360	3000	3500	4000	3600	1825	1825	4860	600	6-6 *6-10	4490	4880	5130
VFMS400	3000	3500	4000	4000	1950	1950	5260	725	6-6 *6-10	4525	4915	5165
VFMS435	2900 *3000	3200 *3500	3650 *4000	4350	2075	2075	5660	850	6-6 *6-10	4560	4950	5200
VFMS450	2850 *3000	3100 *3500	3540 *4000	4500	2150	2150	5760	925	6-6 *6-10	4575	4970	5220
VFMS470	2800 *2900	2900 *3400	3310 *3880	4700	2190	2190	5960	965	6-6 *6-10	4585	4975	5225
VFMS500	2600 *2750	2800 *3100	3200 *3540	5000	2325	2325	6260	1100	6-6 *6-10	4625	5015	5265
VFMS550	1900 *2650	2000 *2700	2280 *3085	5500	2460	2460	6760	1250	3-6 *6-6	4675	5050	5300
VFMS600	1400 *2100	1500 *2300	1700 *2630	6000	2675	2675	7260	1450	3-6 *6-6	4750	5140	5390
VFMS650	*1700	*1800	*1940	*6500	2890	2890	7760	1665	*3-3	4965	5350	5600
VFMS700	*1350	*1450	*1540	*7000	3110	3110	8260	1885	*3-3	5250	5410	5660

Notes:
 (1)Max Lift height(without backrest):-580mm (2)Free lift height (without backrest):+580mm;Weight without backrest:-30kg (3)Diesel forklift weight:+80kg

Notes:
 The mark of * is with double tires,the weight with double tries:+150kg
 Lift speed with VFM/VFHM VFM:FG 400mm/s full load,450mm/s no load;FD 400mm/s full load,420mm/s no load
 VFHM:FG 410mm/s full load,470mm/s no load;FD 420mm/s full load,440mm/s no load
 Lowering speed:VFM/VFHM 400mm/s full load,300mm/s no load.



TFT

FD/G Series 30-40 Counter Balanced Forklift

TFT



Three Features



1 Cleaner, more efficient Engines

New engines, compliant with worldwide emission regulations.

2 Easy Maintenance

Detachable side covers and a wide-opening hood for convenient inspection and simple maintenance. Integral layout of electrical parts and other system devices.



3 Easier entry and exit from an extra-wide step

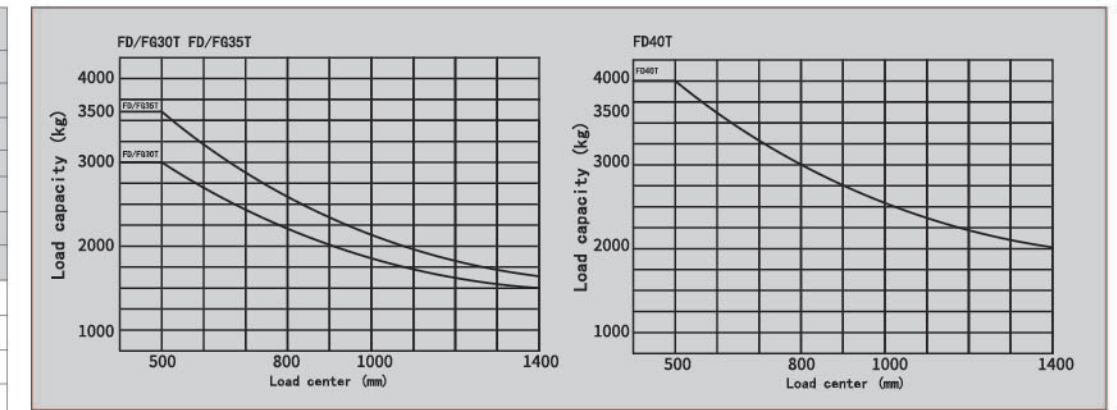
The secure step with enlarged foot space enables greater comfort and less fatigue while entering and exiting the vehicle.



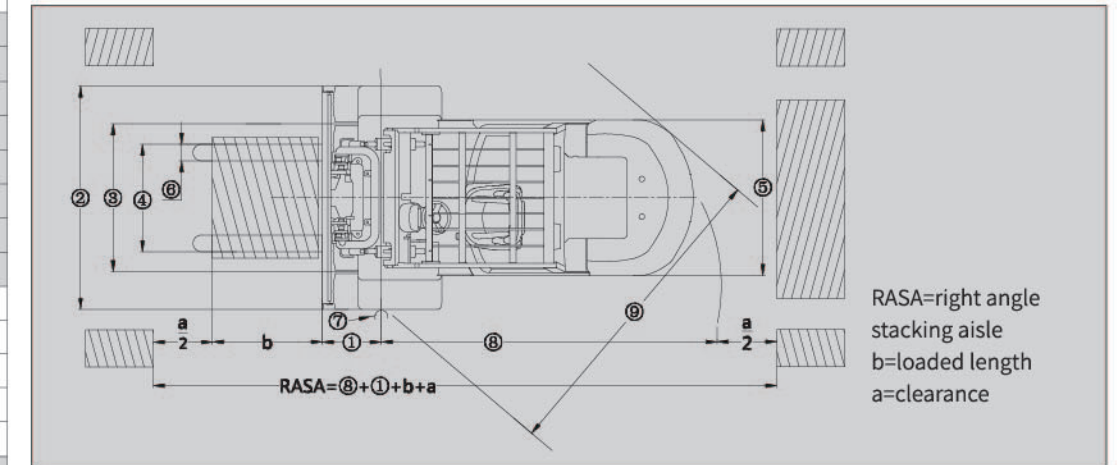
Main Truck Specifications

Specifications				TFT								
		Powershift T/M		FG30T	FG35T	FD30T	FD35T	FD30T	FD35T	FD40T		
1	Manufacturer											
2	Model	Powershift T/M		FG30T	FG35T	FD30T	FD35T	FD30T	FD35T	FD40T		
3	Load capacity	kg		3000	3500	3000	3500	3000	3500	4000		
4	Load center	mm		500		500		500		500		
5	Power unit			Gasoline/LPG		Diesel		Diesel		Diesel		
6	Operator type			Driver / seat		Driver / seat		Driver / seat		Driver / seat		
7	Tire type	Front / rear		Pneumatic		Pneumatic		Pneumatic		Pneumatic		
8	Wheels	Front / rear		2/2		2/2		2/2		2/2		
Dimensions		9	Max.lifting height	mm	3000		3000		3000		3000	
		10	Free lift	mm	150		150		150		150	
		11	Fork size	L×W×T	mm	1070×125×45	1070×125×50	1070×125×45	1070×125×50	1070×125×45	1070×125×50	1070×150×50
		12	Tilt angle	Forward/Backward	deg	6 / 12		6 / 12		6 / 12		6 / 12
		13	Overall length(without fork)		mm	2705	2760	2705	2760	2705	2760	2870
		14	Total width		mm	1225	1285	1225	1285	1225	1285	1345
		15	Mast height(fork lowering)		mm	2075		2075		2075		2075
		16	Overall height fork raised		mm	4250		4250		4250		4250
		17	Height of head guard		mm	2140		2140		2140		2140
		18	Turning radius(outside)		mm	2445	2495	2445	2495	2445	2495	2530
		19	Load distance		mm	480	485	480	485	480	485	485
		20	Right angle stacking aisle(not add load length & clearance)		mm	2925	2980	2925	2980	2925	2980	3015
Performance		21	Travelling	Full load	km/h	18		18		18		
				No load	km/h	19.5		19.5		19.5		
		22	Speed	Lifting	Full load	mm/s	450	450	450	450	450	450
					No load	mm/s	500	500	500	500	500	500
		23		Lowering	Full load	mm/s	450	450	450	450	450	450
					No load	mm/s	450	420	450	420	450	420
24	Max.drawbar pull	Power shift T/M full/no load	kg	1300/1000	1800/1000	1500/1000	2200/1000	1500/1000	2100/1000	2200/1000		
25	Gradeability at 1.6km/h	Power shift T/M full/no load	%	17/20	17/20	18/20	18/20	18/20	18/20	18/20		
Weights		26	Weight		kg	4300	4700	4380	4780	4380	4780	
		27	Weight distribution	Full load	Front	kg	6390	7260	6420	7300	6420	7300
					Rear	kg	830	850	870	890	870	890
		28		No load	Front	kg	1680	1840	1730	1870	1730	1870
Rear	kg				2620	2860	2650	2910	2650	2910		
Chassis & Wheels		29	Tires	Number	Front / rear	2 / 2		2 / 2		2 / 2		
				Size	Front	28×9-15-12PR		28×9-15-12PR		28×9-15-12PR		250-15-16PR
		30		Rear	mm	6.50-10-10PR		6.50-10-10PR		6.50-10-10PR		6.50-10-10PR
					31	Wheelbase	mm	1700		1700		1700
		32	Tread	Front	mm	1000	1060	1000	1060	1000	1060	1120
				Rear	mm	970		970		970		970
33	Ground clearance	At lowest point(mast)	mm	120		120		120		120		
		Frame		135		135		135		135		
34	Brake	Service brake		Hydraulic-foot pedal		Hydraulic-foot pedal		Hydraulic-foot pedal		Hydraulic-foot pedal		
		Parking brake		Mechanical-hand lever		Mechanical-hand lever		Mechanical-hand lever		Mechanical-hand lever		
Drive Line		35	Battery	V/AH	12 / 60		12 / 80		12 / 80		12 / 80	
		36	Engine			K21	K25	C240	S4S	4JG2	4D30G31	
					KW/rpm	31.2/2250	37.4/2300	35.4/2500	35.4/2250	35/2450	36.8/2500	
					N·m/rpm	144/1600	177/1600	139.9/1800	177/1700	170/1700	174/1800-2000	
						4	4	4	4	4	4	
37	Fuel tank capacity	L	70		70		70		70			
38	Transmission	Power shift T/M	1-1 power shift T/M		1-1 power shift T/M		1-1 power shift T/M		1-1 power shift T/M			
39	Operating pressure	kg/cm2	180		180		180		180			

Notes: T/M=Transmission
 Besides above- mentioned motors, brands Mitsubishi, Yanmar, Cummins are optional, forklifts specification changes according to the engines.
 *TEU'S products and its specifications change without prior notice.



Notes:
 Vertical axis represents load capacity; Horizontal axis shows load center, Load center is determined from front face of the fork.
 Capacity based on a 1000mm cube load configuration with the center of gravity at the true center of the cube, and standard fork.
 The load capacity will be reduced while the mast tilt forward or loading with long fork or lifting transformable width of goods.
 Getting the load capacities at the various load centers timely via the load curve.
 TFT 's products and specifications change without prior notice.
 TFT forklift truck has equipped with standard safety device.
 TFT is not responsible for the damage occurred by removing its safety device.



Specifications(front single tires).

Model	FG/FD30T	FG/FD35T	FD40T
	mm	mm	mm
①Front Overhang	480	485	486
②Total Width	1225	1285	1345
③Front Track	1000	1060	1120
④Fork Spread(outside)	250~1090	250~1190	250~1191
⑤Rear Track	970	970	971
⑥Fork Width	125	125	150
⑦Turning Radius(inside)	200	201	202
⑧Turning Radius(outside)	2445	2495	2560
⑨Right Angle Turning Aisle	2155	2205	2450

Standard equipments:

Wide view mast, Cyclone air cleaner, Load one-way valve, Preheat indicator, King Pin, Engine-start switch, Standard backrest, Long-life tires, Overhead guard, Oil and water separator, Power steering, Adjustable steering column, Radiator water tank, Side roller, Standard carriage, Oil temperature cooler, Headlamp and steering indicator lamp, Charge indicator lamp, Hour meter, Oil warning light of engine, Water temperature gauge, Fuel gauge, Reversing light, Electric horn, Neutral-safety switch, Paper file, Rear mirror, Tools, Reversing Buzzer, General seat.

Options:

Fire extinguisher, cab, Heater unit, Rear work light, Solid tires, Fireproof silencer, Upper exhaust pipe, Tilt cylinder jacket, Rotating warning light, LPG Conversion device, Pre-filtration air intake device.

Attachments:

Side shifter, Fork positioner, Carpet boom, Fork extension, Long fork, Flat clamp, Others.