

TFT

25THD06-A7LIG

G series Lithium battery
Telescopic Handlers



www.carretillastft.com

25THD06-A7LIG

Maximum capacity	2500kg
Maximum lifting height	5.9m
Maximum horizontal extension	3.3m
Transmission mode	Motor drive
Steering mode	Four steering, front wheel steering, cab steering
Weight	5200kg
Travel speed (no-load)	25km/h
Gradeability (no-load)	40%

Lifting capacity

Maximum capacity	kg	2500
Maximum horizontal extension	mm	3315
Maximum lifting height	mm	5900

Dimensions

Overall length	mm	4025
Overall width	mm	1826
Overall height	mm	1930
Wheel base	mm	2300
Ground clearance	mm	330
Front track	mm	1503
Outside width of cab	mm	794
Vehicle passing angle	°	36
Vehicle departure angle	°	35
Tilt angle of fork	°	12
Tilt angle of fork	°	117
Turning radius	mm	3310
Turning radius	mm	5960

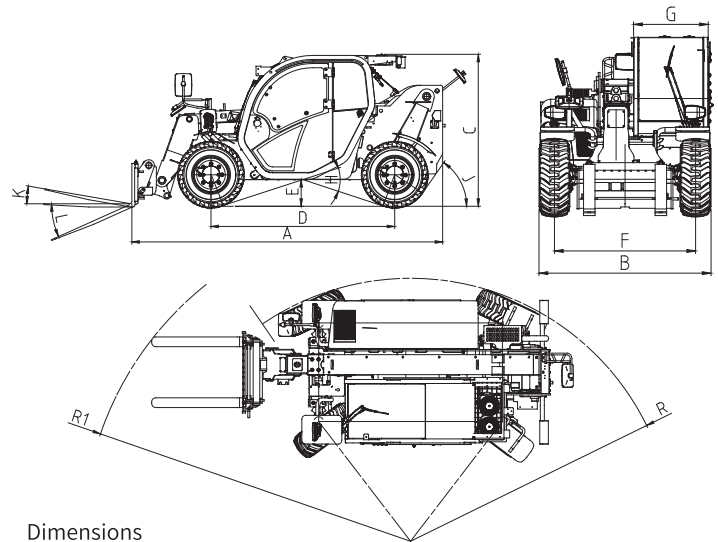
Battery

Battery type	Lithium Battery	
Battery capacity	Ah	150
Voltage	V	310
Battery energy	kWh	46

Attachments

Loading bucket	
Sideshifters	

25THD06-A7LIG Appearance and Dimensions



Dimensions

A	B	C	D	E	F	G	H	J	K	L	R	R1
4025	1826	1930	2300	330	1503	794	36°	35°	12°	117°	3310	5960

25THD06-A7LIG Lifting diagram

